

1 2 3 4 5 6 7 8

A

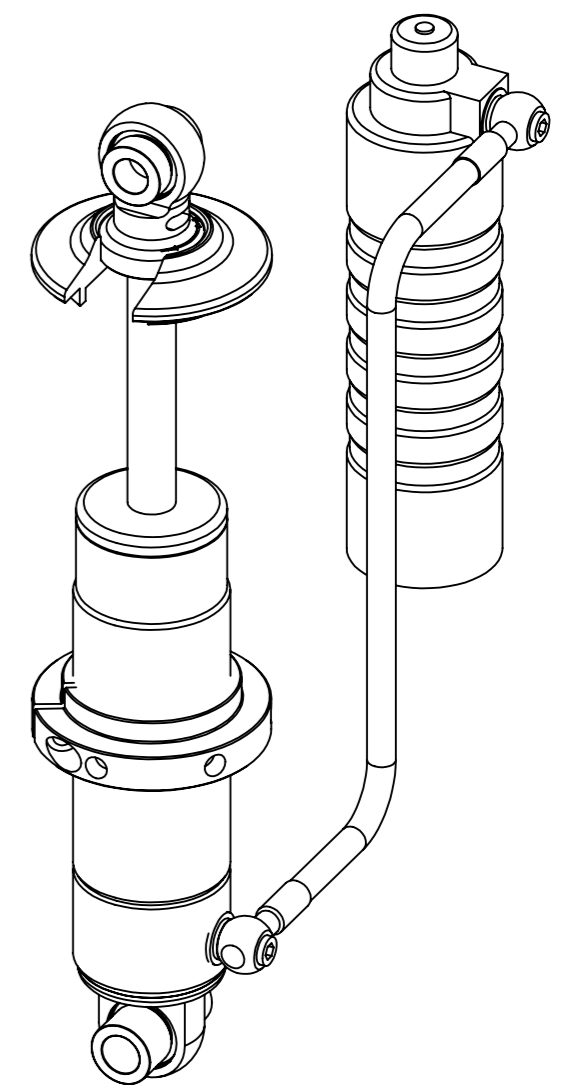
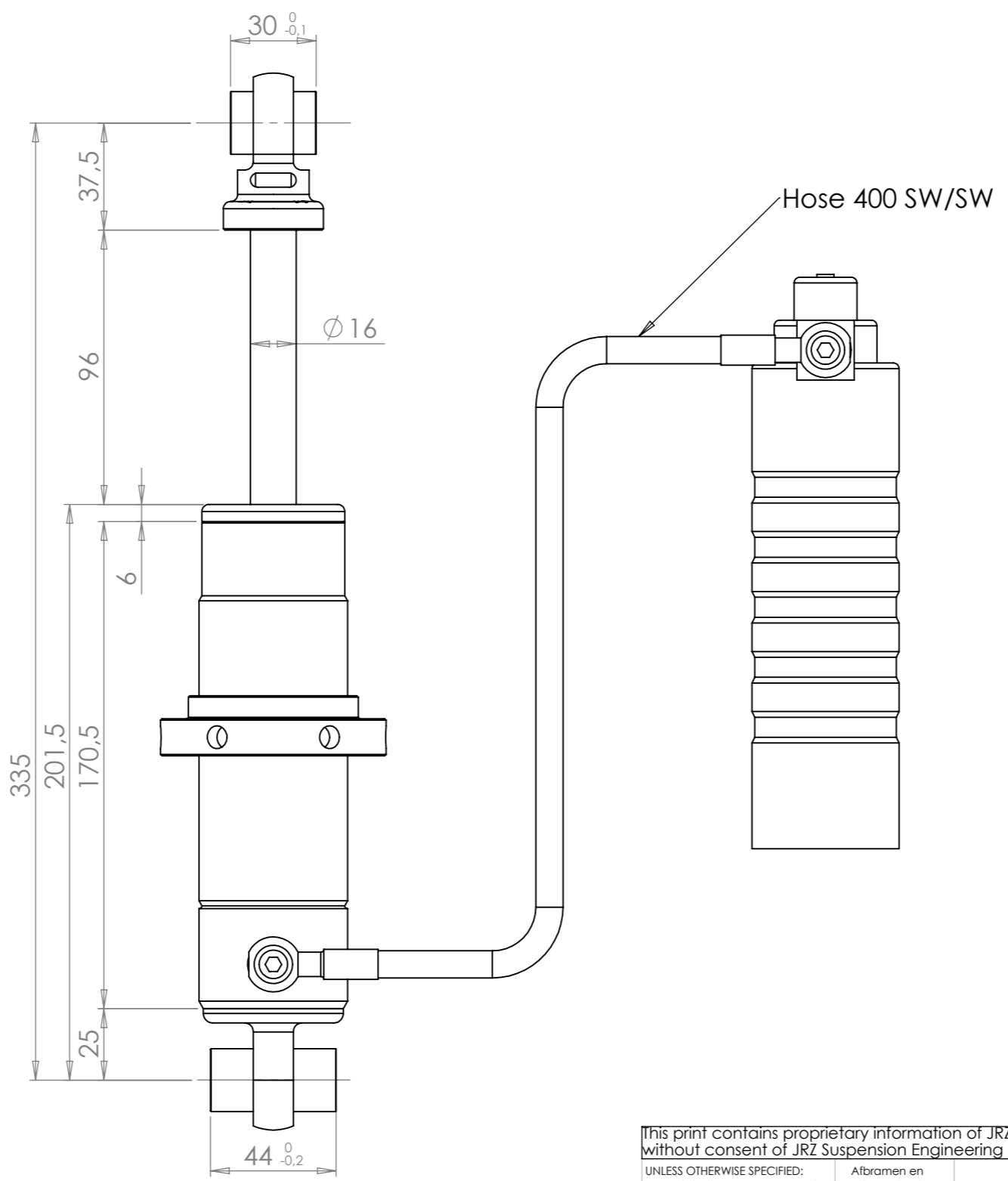
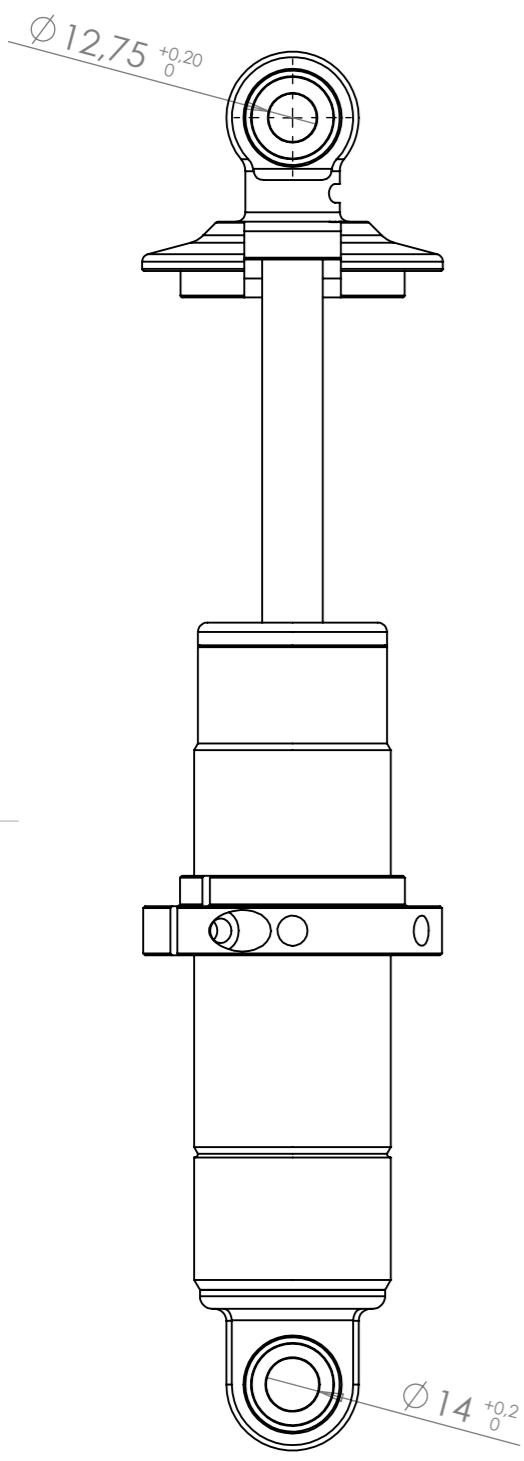
B

C

D

E

F



This print contains proprietary information of JRZ Suspension Engineering B.V. Reproduction or distribution to others is strictly prohibited without consent of JRZ Suspension Engineering B.V.

UNLESS OTHERWISE SPECIFIED:
 DIMENSIONS ARE IN MILLIMETERS
 SURFACE FINISH:
 TOLERANCES:
 - LINEAR +/-0.2
 - ANGULAR +/- 1°

Afbramen en
 scherpe kanten
 breken

REVISION			
	NAME	SIGNATURE	DATE
A			
B			
C			
D			
E			
F			

DO NOT SCALE DRAWING

Material:

DRAWN Tom Witlox 4-5-2015



TITLE: Noble M12 GTO Front Rspro

DWG NO. 1001076012013500 A3

1 2 3 4

SCALE:1:2 SHEET 1 OF 1